

# Harper



## Description

## Measurements

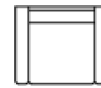
Length Depth Height

Chair

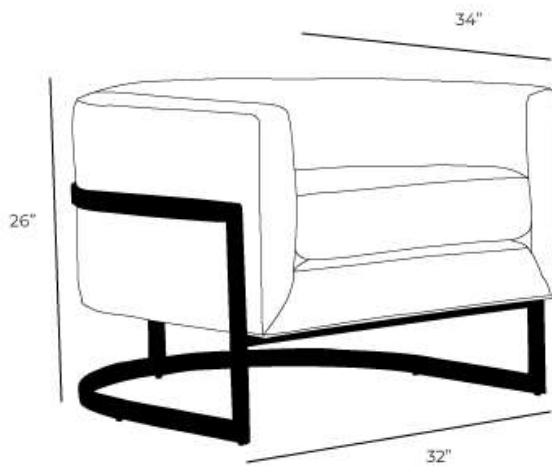
32" 34" 26"

### Overall Dimensions

Arm Height	26"
Arm Width	4"
Seat Height	18"
Seat Depth	24"



**\*All measurements are approximate**



## Details

- Available in premium Italian top & full grain leathers or premium quality fabrics
- Handcrafted in Toronto, Canada by Rosedale Seating
- Tubular contract metal frame
- Kiln-dried Canadian ethically sourced hardwood
- Eco-friendly construction
- Standard frame only.
- Choose standard fills: Super soft , tahoe, medium, firm (poly fiber wrapped around a soya-based high density foam core)
- Premium fill: Feather Deluxe (down, feather envelope encased in commercial grade foam core)
- Ultra cell foam (high density foam designed for commercial and contract use)
- Rosedale Seating Leather and Fabric Furniture offers you a lifetime warranty on the construction and springs on your piece. To find out more about the best warranty in Canada, please visit our "Construction" page.