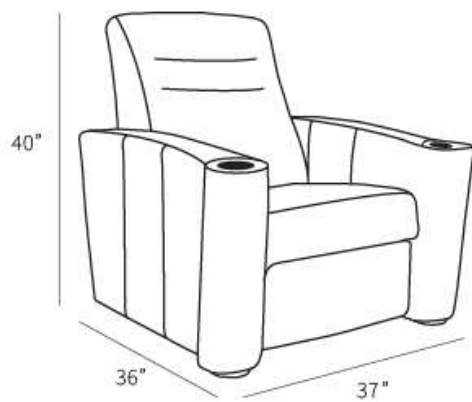


Azura



Description

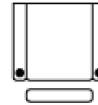


Overall Dimensions

Arm Height	25"
Arm Width	7"
Seat Height	18"
Seat Depth	22"

Measurements

Chair

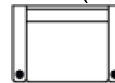


Length Depth Height

37" 36" 40"

Also Available in:

Chair (Oversize)



44" 36" 40"

***All measurements are approximate**

Details

- Available in premium Italian top & full grain leathers or premium quality fabrics
- Handcrafted in Toronto, Canada by Rosedale Seating
- Kiln-dried Canadian ethically sourced hardwood
- Eco-friendly construction
- Double-doweled frame
- Corner block joinery
- Commercial Grade wall away steel reclining mechanism made in North America, available in both manual and power. Power headrests available. Standard and oversize seats available
- Wall away recliners only require 3" of clearance from the wall.
- Standard depth. Available in 23" or 30" inch seat widths
- Ultra cell firm seats standard (high density foam designed for commercial and contract use) other options available
- All furniture available with your choice of over 20 decorative nail options in varying sizes and colours. There is also the ability to omit studs from any piece
- Wood block feet available in multiple sizes and finishes. Chrome and brushed steel legs also available in multiple sizes
- Rosedale Seating Leather and Fabric Furniture offers you a lifetime warranty on the construction and springs on your piece. To find out more about the best warranty in Canada, please visit our "Construction" page.